



/ Leanlock 42 Mini

The ideal stand for any children's bike

/ GENERAL

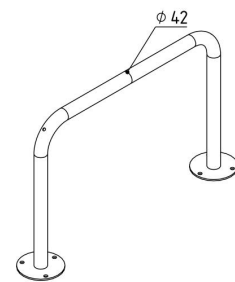
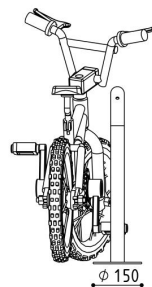
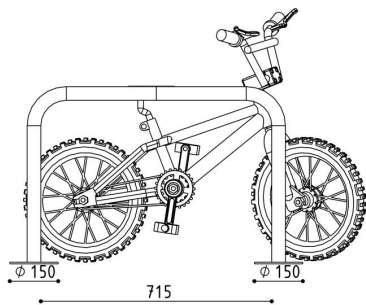
Leanlock Mini bicycle stand is the small version of Leanlock, a simple bicycle stand with rounded corners. This stand is specially designed for securing children's bikes, but can also be used to protect outsized bikes and mopeds against theft. Leanlock Mini bicycle stand can also be used as a barrier or to protect trees. Leanlock Mini is made of hot-dip galvanized steel and vandal-resistant. Two bicycles can be secured to one stand.

Advantages user

- Maximum anti-theft protection thanks to locking points for front wheel, rear wheel and frame
- Specially designed for children's bicycles
- Extra stability thanks to leaning support
- Easy circulation
- Fast parking

Advantages facility manager

- Budget-friendly
- Vandalism-proof
- Flexible set-ups possible
- Simple design
- Usable as a low barrier
- Guaranteed corrosion resistant
- Reliable, durable and maintenance-free
- Easy and quick to install
- Fast delivery



Material

Steel S235JR

- Sustainable
- Robust
- High durability
- Recyclable

Surface treatment

Hot-dip galvanization according to EN-ISO 1461

- Durable corrosion protection
- Wear- and impact-resistant
- High durability
- Maintenance-free
- Recyclable

Description

- Lowered U-shaped bracket in bent tube (D=42mm)

Available modules

- Baseplates / For concreting: LxH=800x520mm

/ INSPIRE



