



/ Classic Special 400

Everything the classic has and more!

/ GENERAL

The Classic Special is a simple and durable bicycle stand suitable for city bicycles. Each module is equipped with wheel supports in the high-low position making it easier to park the bicycle. The bicycle stand is modular and is available in a single or double-sided version. In addition, thanks to the elevated bicycle clamps and the wider shaft spacing, you can enjoy optimal user comfort.



/ DATASHEET

Structure

- Bended tube wheel holder (Dxd = 18x2mm)
- Frame in L-profile (HxWxd = 35x35x3mm)

Material

- Steel

Versions

Center distance 400mm

- Single-sided arrangement: 4 bicycle places
- Double-sided arrangement: 4+4 bicycle places

Lock attachment point

- Lock
- Comfortlock
- Safelock

Options

- Charging point Twincharge for electric bicycles
- L-profile for an additional module of 40mm

Dimensions

Single & double sided (max.tyre thickness 41mm)

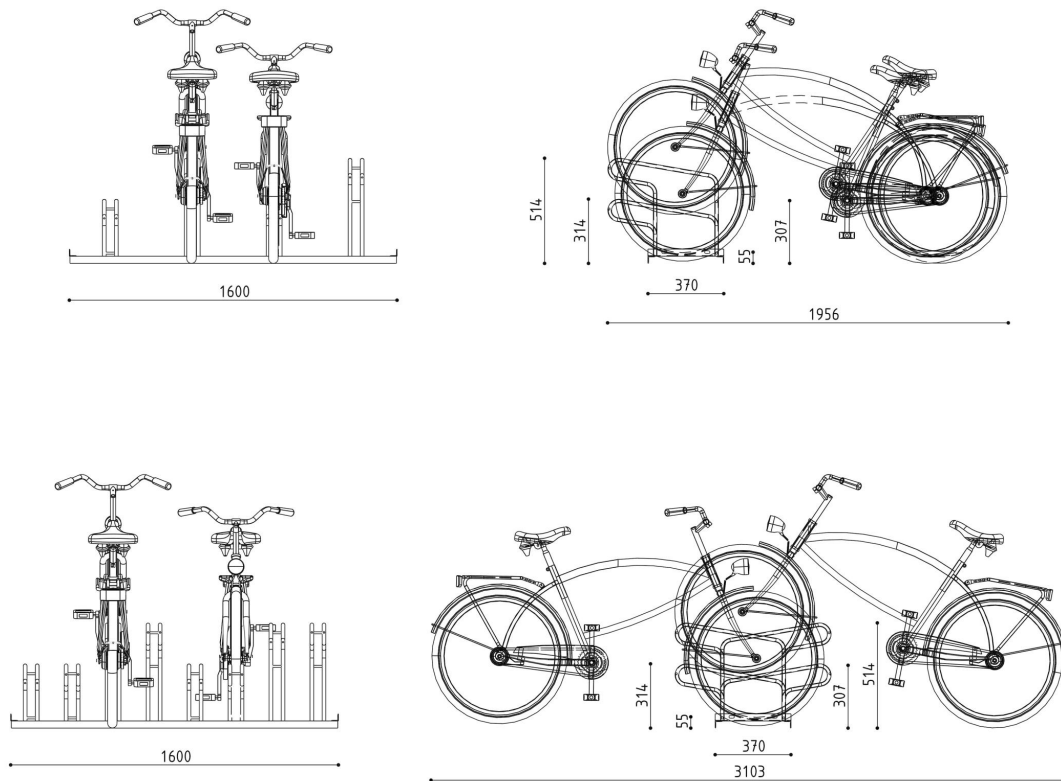
- 4/4 + 4 bicycle places: LxWxH = 1600x566 / 762x514mm

Surface treatment

- Hot-dip galvanized steel

Anchoring

- Directly on the pavement by means of wedge bolts
- With wood threaded bolts and nylon plugs on 2 concrete blocks 30x30x40cm
- By chemical anchoring



/ INSPIRE



