



## / Type Gent 700

Cycling city Ghent knows what's up!

# / GENERAL

Type Gent bicycle rack is ideal for intensive use. This vandalism-proof rack provides stable support without wheel clamps. Thanks to the many secure locking points, you can safely store your bicycle with confidence. Type Gent is available in different centre-to-centre distances.

## Advantages user

- Maximum anti-theft protection (locking points for front wheel, rear wheel and frame)
- Extra-large centre-to-centre distance of 700mm for ultimate user comfort
- Low tilting height
- Suitable for different tyre widths
- Suitable for wider tyres
- Extra stability thanks to leaning support
- Protection against tipping or pushing over
- No wheel clamps
- Suitable for large panniers

## Advantages facility manager

- Vandalism-proof
- Guaranteed corrosion resistant
- Reliable, durable and maintenance-free
- Ideal for placement in public spaces
- Easy and quick to install
- Fast delivery



## Material

Steel S235JR

- Sustainable
- Robust
- High durability
- Recyclable

## Surface treatment

Hot-dip galvanization according to EN-ISO 1461

- Durable corrosion protection
- Wear- and impact-resistant
- High durability
- Maintenance-free
- Recyclable

## Description

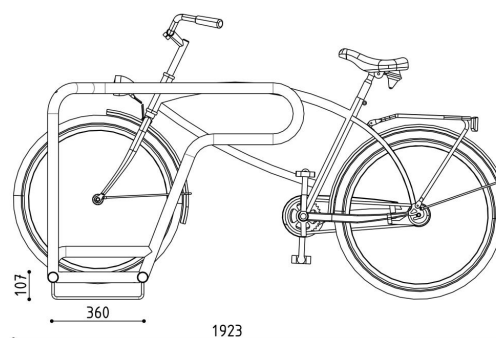
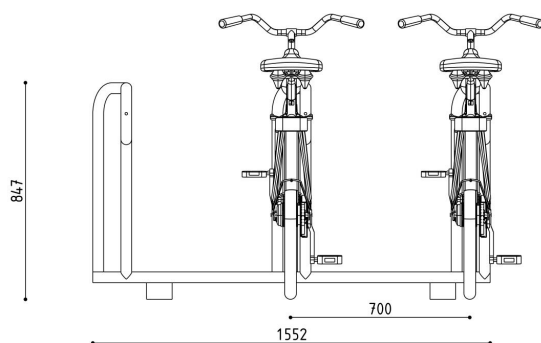
- P-shaped stands with wheel holders in low-low position
- Support structure on baseplates
- Centre-to-centre distance between bicycles: 700mm
- Single-sided modules
- Maximum tyre width: 65mm

## Available modules

- Single-sided: 3 / 4 / 5 bicycle spaces

## Options

- Powder coating according to EN-ISO 14616, choice from the RAL colour card (class 1 & 2)



# / INSPIRE



