



/ Frontpark 375

Universal, budget-friendly bicycle rack for different tyre widths

/ GENERAL

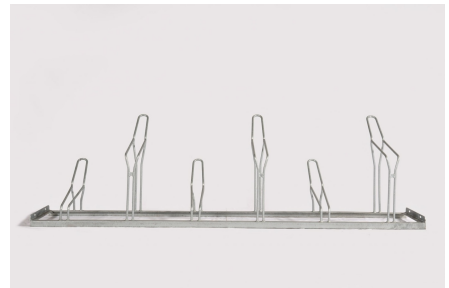
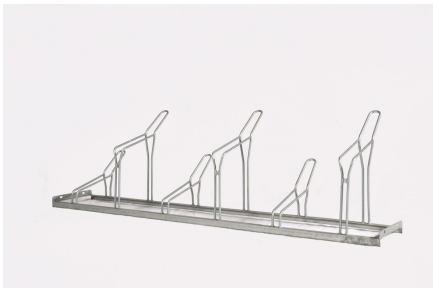
Frontpark bicycle rack is a quality model suitable for different tyre widths. Each module is equipped with wheel holders in high-low position. The bicycle rack is modular and available in single- or double-sided modules. Frontpark bicycle rack can also be fitted with anti-theft brackets so that everyone can always leave their bike safely.

Advantages user

- User-friendly
- Suitable for wider tyres
- Suitable for different tyre widths

Advantages facility manager

- Budget-friendly
- Space-saving design
- Connectable modules
- Guaranteed corrosion resistant
- Reliable, durable and low-maintenance
- Extendable with anti-theft brackets or charging points (optional)
- Easy and quick to install
- Fast delivery
- Guaranteed corrosion resistant



Material

Steel S235JR

- Sustainable
- Robust
- High durability
- Recyclable

Surface treatment

Hot-dip galvanization according to EN-ISO 1461

- Durable corrosion protection
- Wear- and impact-resistant
- High durability
- Maintenance-free
- Recyclable

Description

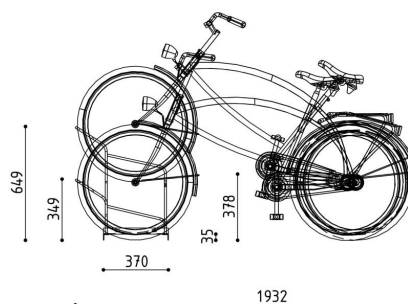
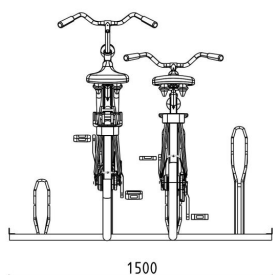
- Tapered wheel holders in high-low position
- Centre-to-centre distance between the bicycles: 375mm
- Single- or double-sided modules
- Maximum tyre width: 65mm

Available modules

- Single-sided: 2 / 3 / 4 / 5 / 6 bicycle spaces
- Double-sided: 2+2 / 3+3 / 4+4 / 5+5 / 6+6 bicycle spaces

Options

- Lock bicycle locking system
- Comfortlock bicycle locking system
- Safelock bicycle locking system
- Twincharge bicycle charging point (for single-sided set-ups, placed in or in front of the rack)
- L-profile against litter (art. 40.04.04.0003)



/ INSPIRE



